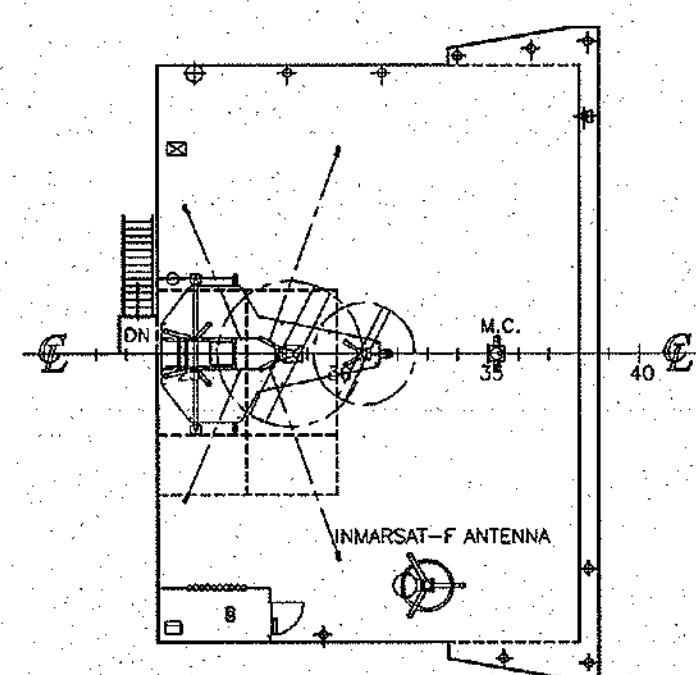


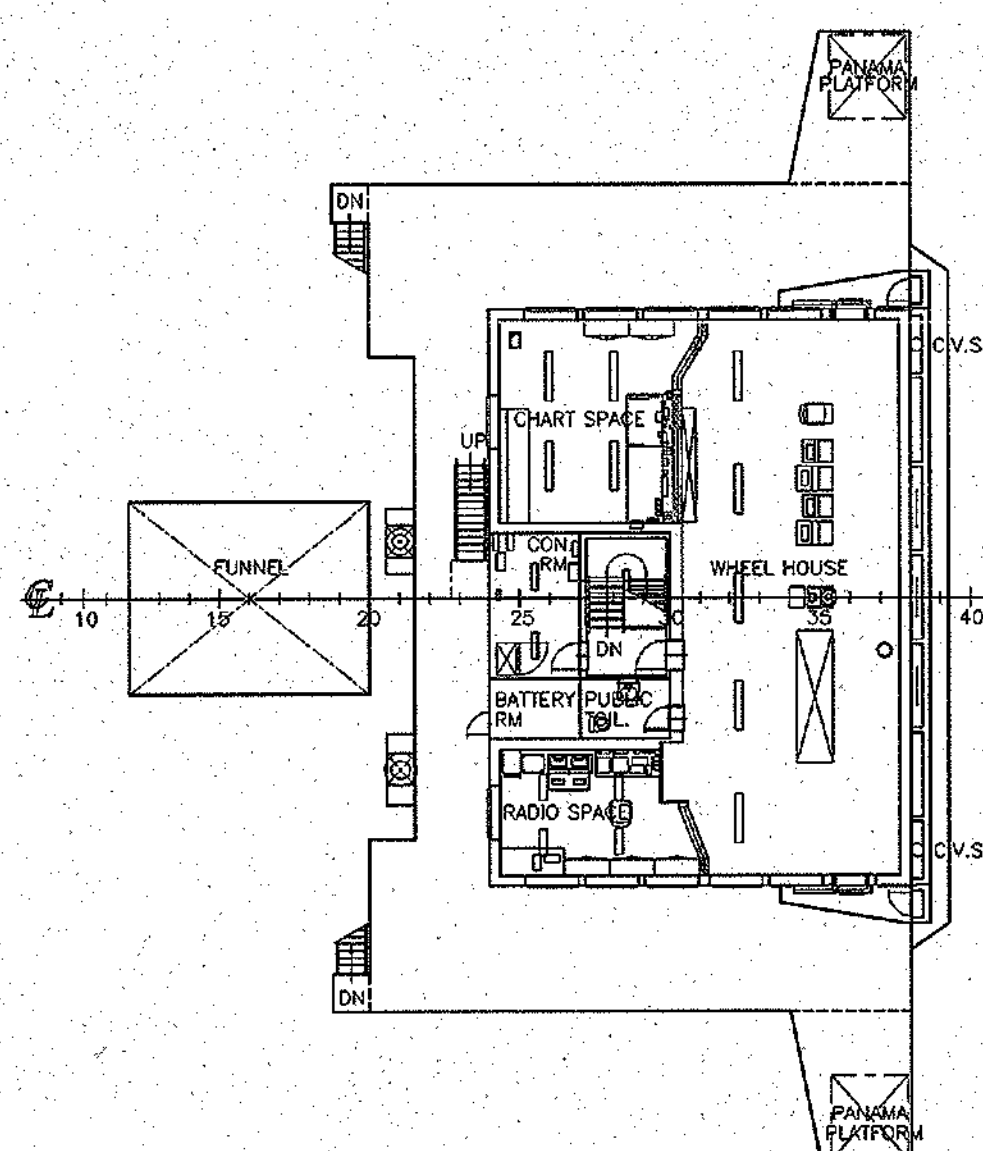
# GENERAL ARRANGEMENT

PLAN HISTORY		
DATE	REV.	DESCRIPTION
2011.01.05	A	DRAWN BY BASIC DESIGN DEPARTMENT
2025.07.06 [REV No. G] Moulded Scantling Draft is 10.290 m		

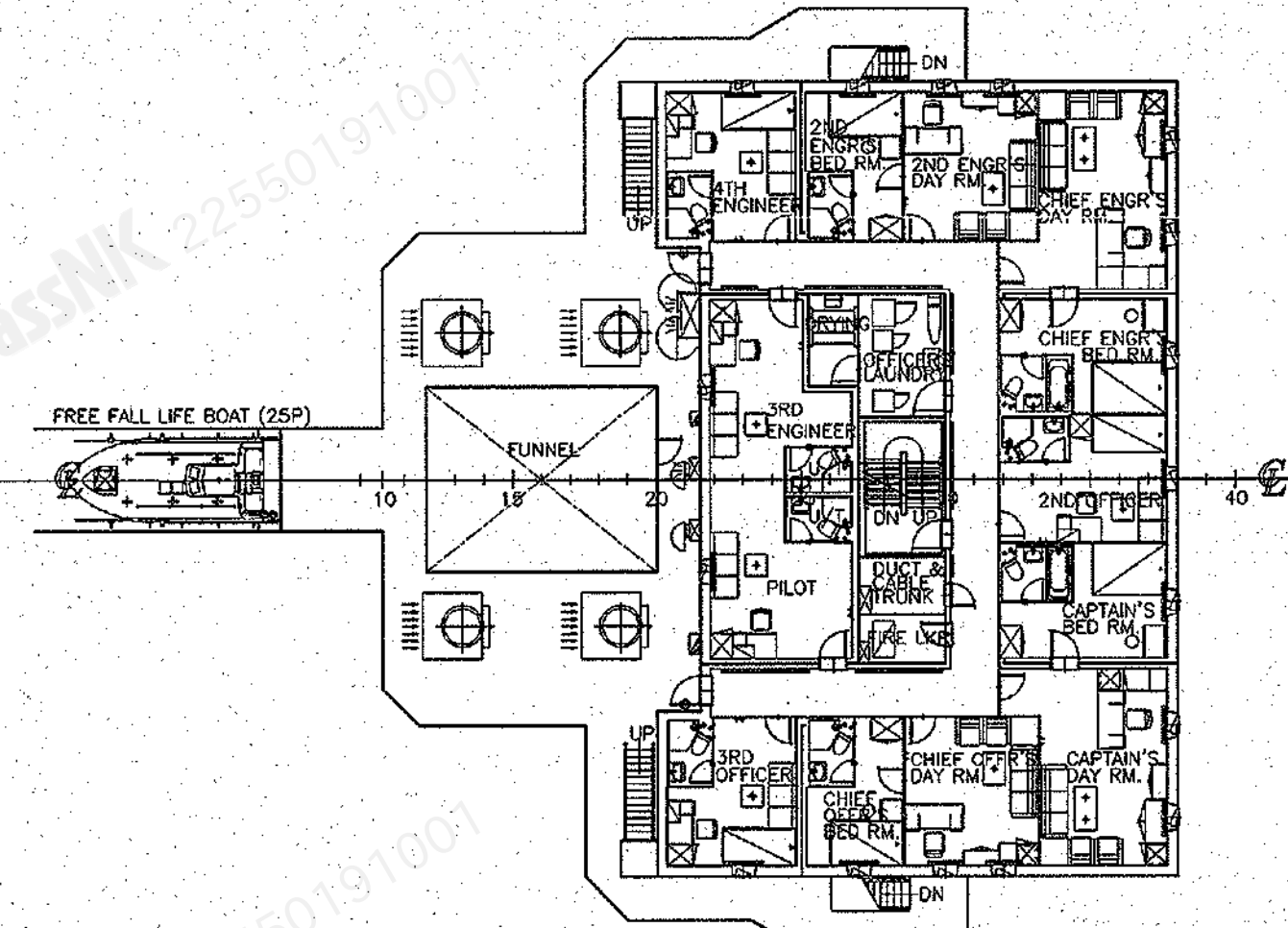
**COMPASS DECK**



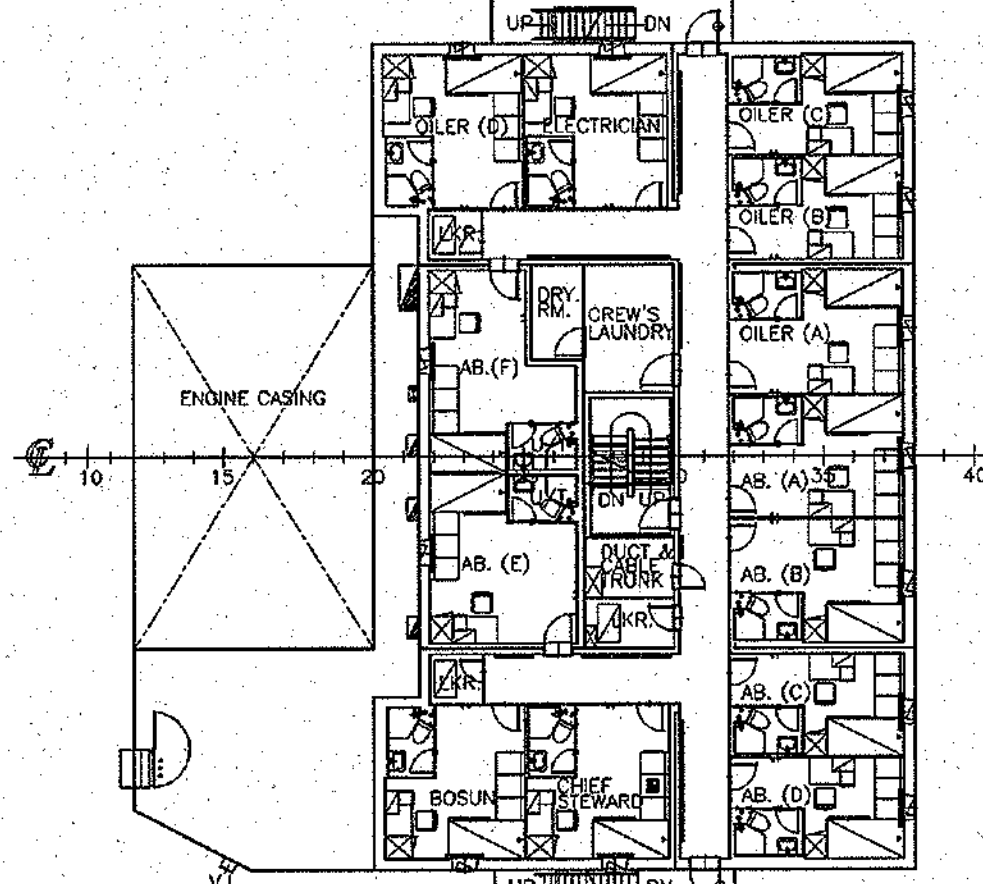
**NAVI. BRI. DECK**



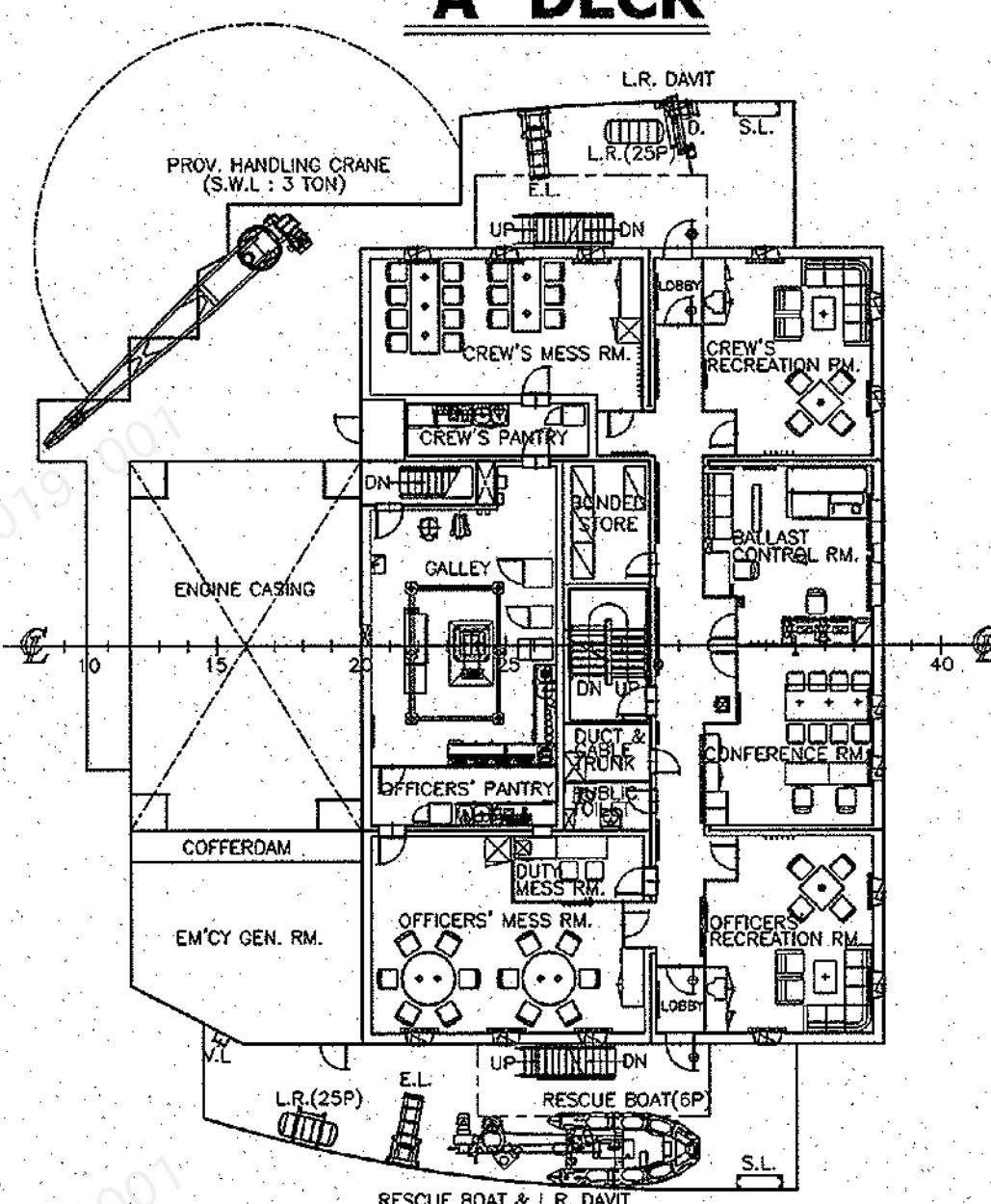
**"C" DECK**



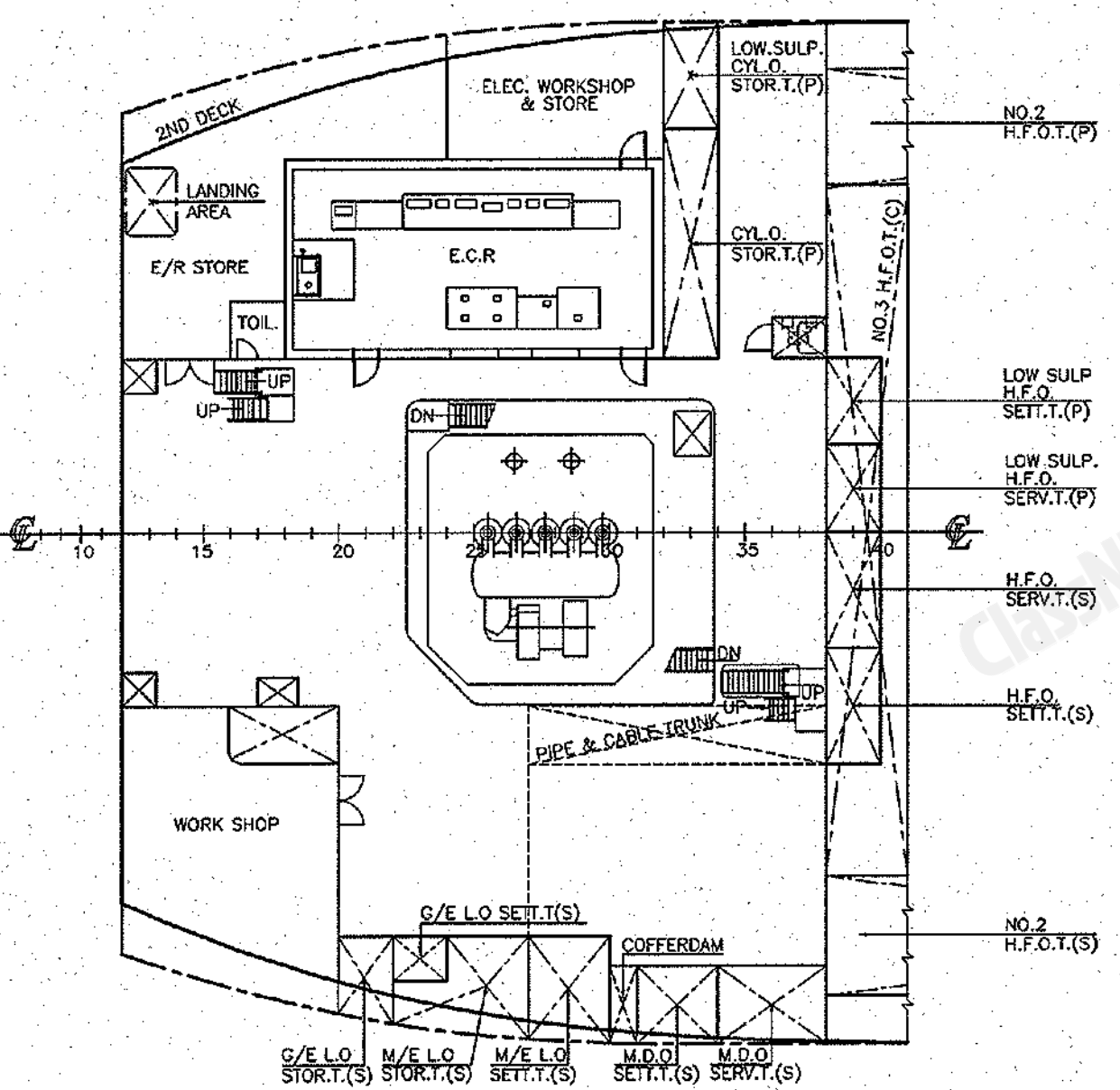
**"B" DECK**



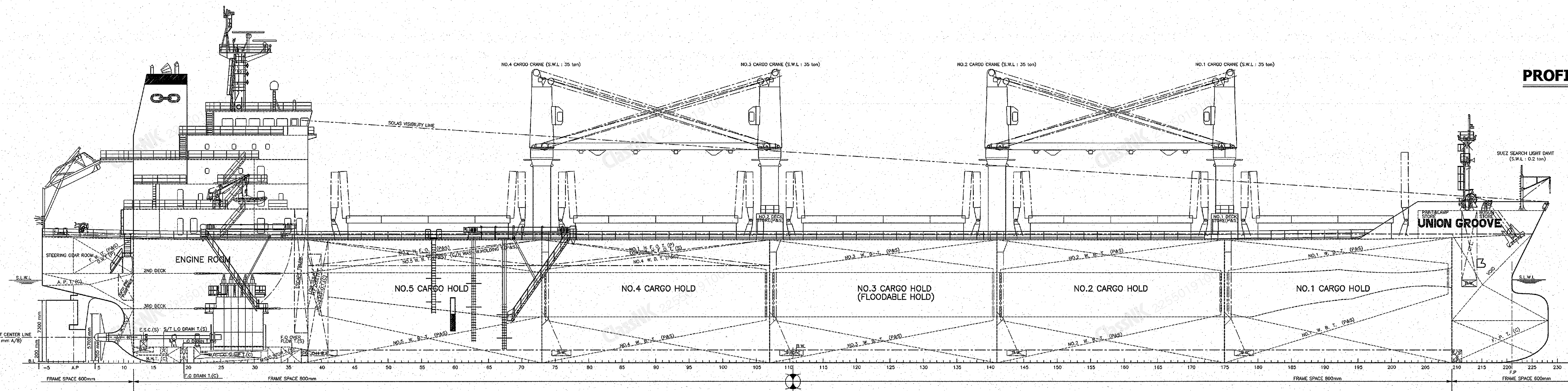
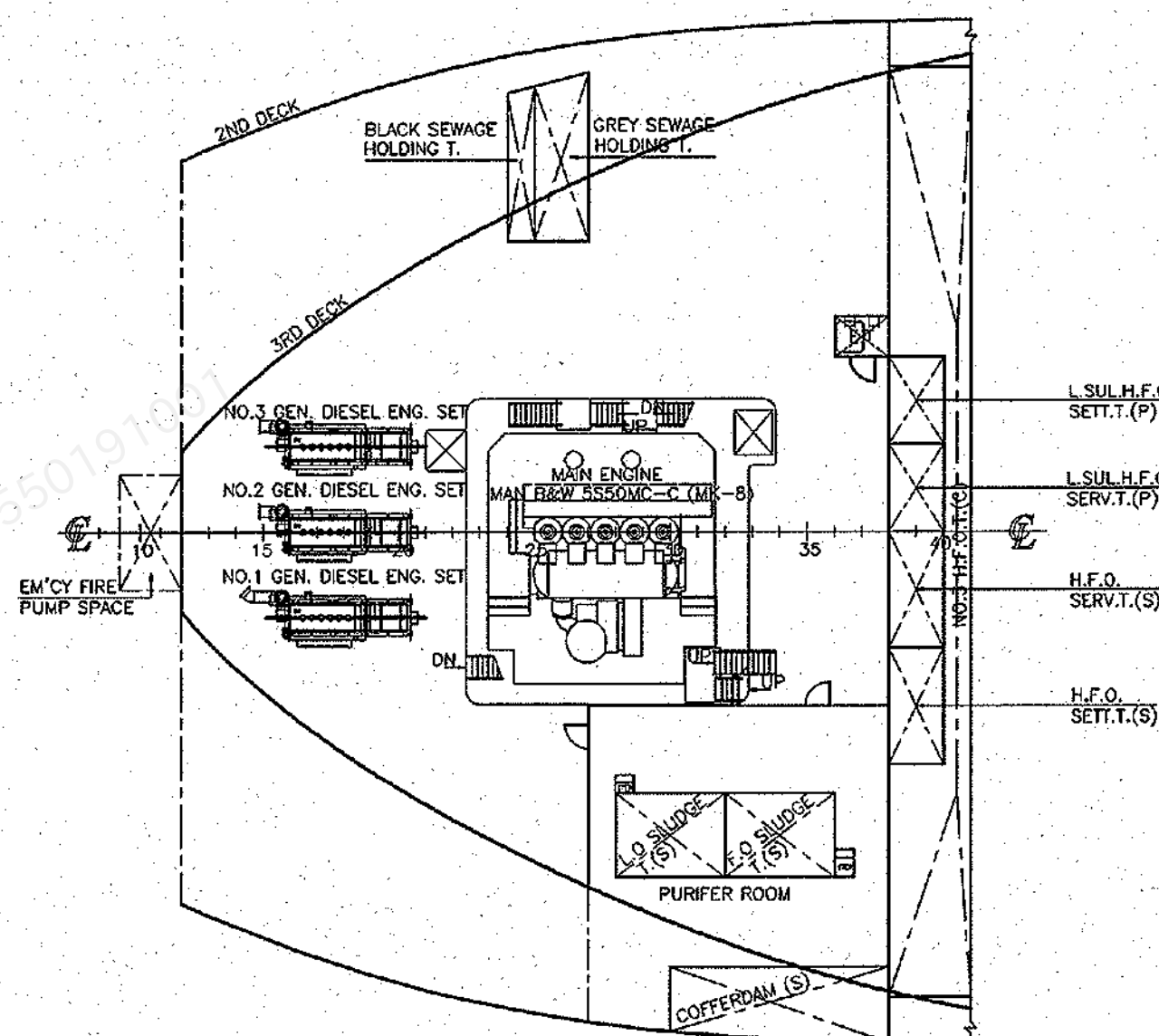
**"A" DECK**



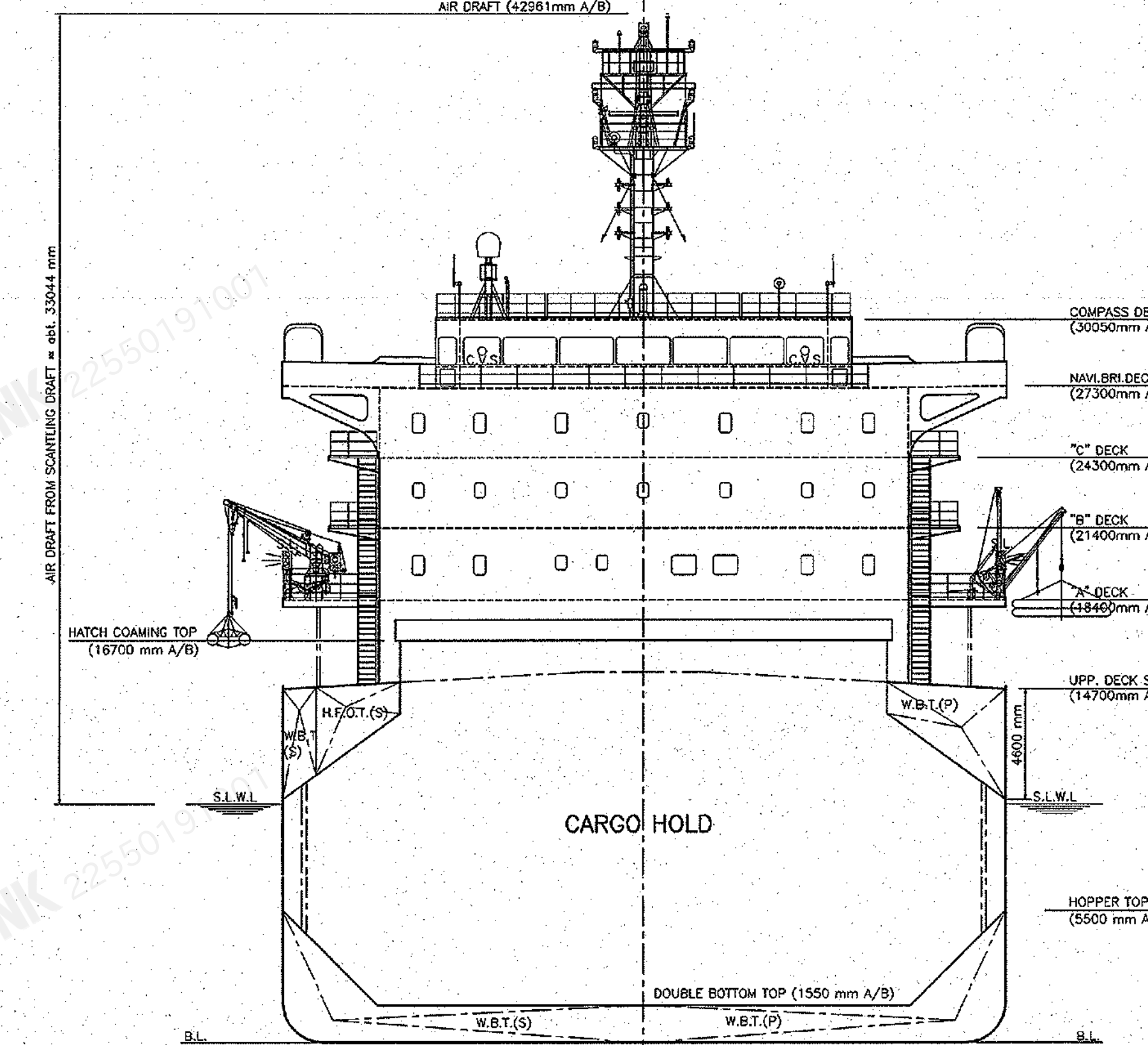
**2ND DECK**



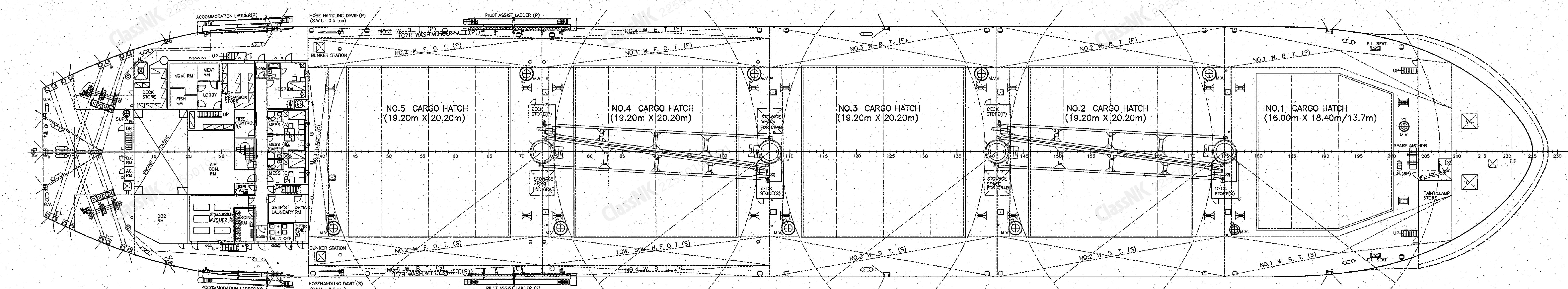
**3RD DECK**



**PROFILE**

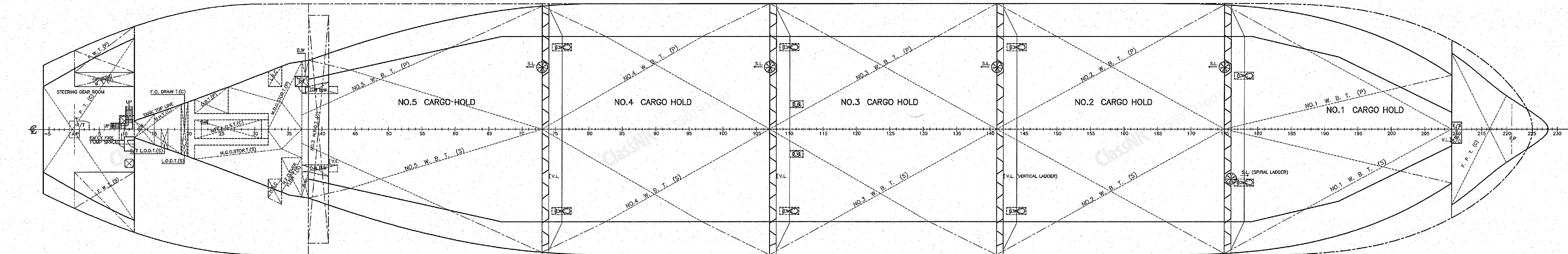
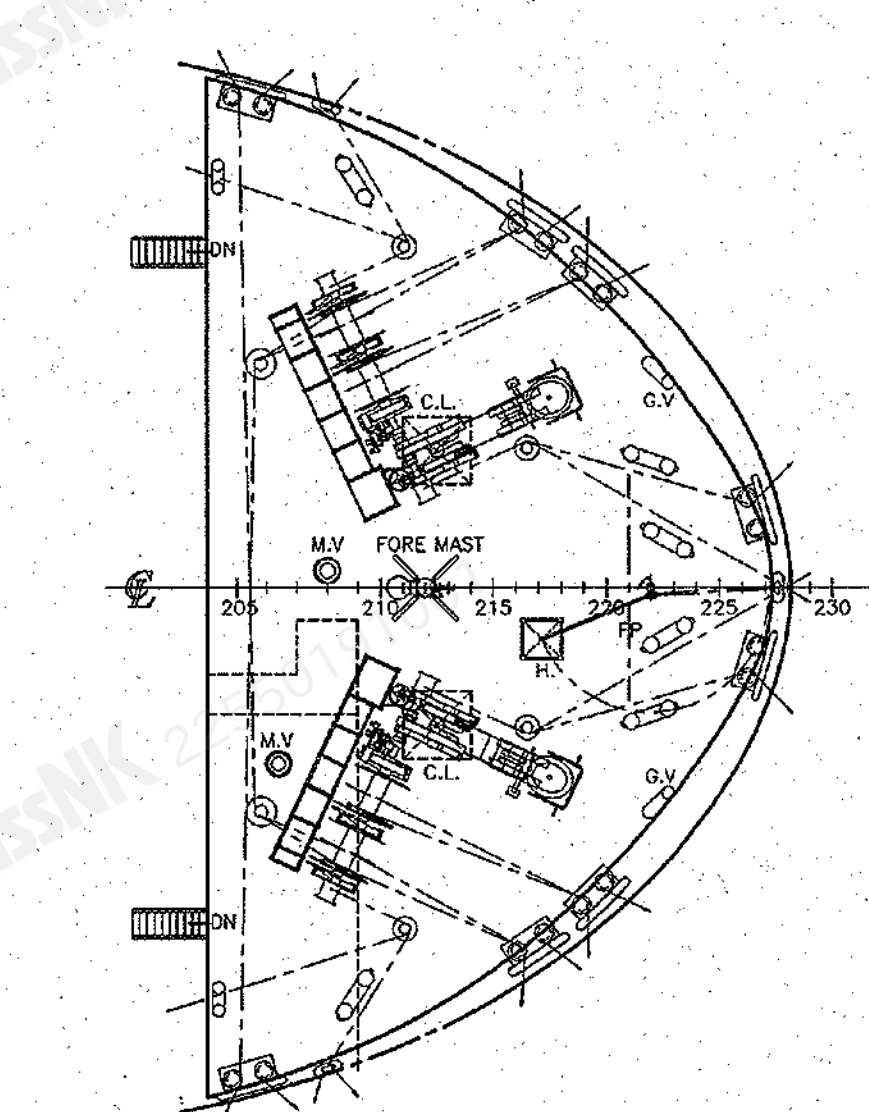


**MIDSHIP SECTION**



**UPPER DECK**

**F'CLE DECK**



**TANK TOP**



**PRINCIPAL PARTICULARS**

LENGTH	O.A.	180.00m
LENGTH	B.P.	172.00m
BREADTH	M.L.D.	30.00m
DEPTH	M.L.D.	14.70m
DESIGN DRAFT	M.L.D.	9.00m
SUMMER DRAFT	EXT.	10.3065m
DEADWEIGHT		36996 TON
GROSS TONNAGE		23783 TON
NET TONNAGE		12578 TON
CRUISING RANGE	abt. 20,000 N.M.	
D.F.O.(MAN TECHNICAL DATA BASE)		24.5 TON/DAY
MAIN ENGINE	MAN B&W Licensee 5550MC-C (MK-M80) x 1Set (at MCR) 6,700KW x 117.0 RPM (at NCR, 90% MCR) 6,030KW x 113.0 RPM	
SERVICE SPEED at NCR with 15% S.M.	14.08 kts (on SCANTLING DRAFT)	
CLASS	NIPPON KAIJI KYOKAI (NK)	
REG. (CSS BC-B, RC-XII, GRAB20) (PSCM) (ESP) (NSV) (MSE)		
COMPLEMENT	25 P. + 6 SUEZ CREW	

UNION GROOVE		BB - 01
HULL NO.	H-4060	IMO 9580106
SHIP TYPE	DWT 36996 TON CLASS BULK CARRIER	
APPROVED	[Signature]	
APPROVED	[Signature]	
CHECKED	[Signature]	
DRAWN	[Signature]	
DATE	2012.01.03	
SCALE	1/200	
CLASS	NK	
DRWG NO.	DB100310B	REV. NO. G
DESIGNER	BASIC DESIGN DEPARTMENT	
BUILDER	SPP SHIPBUILDING CO., LTD.	

